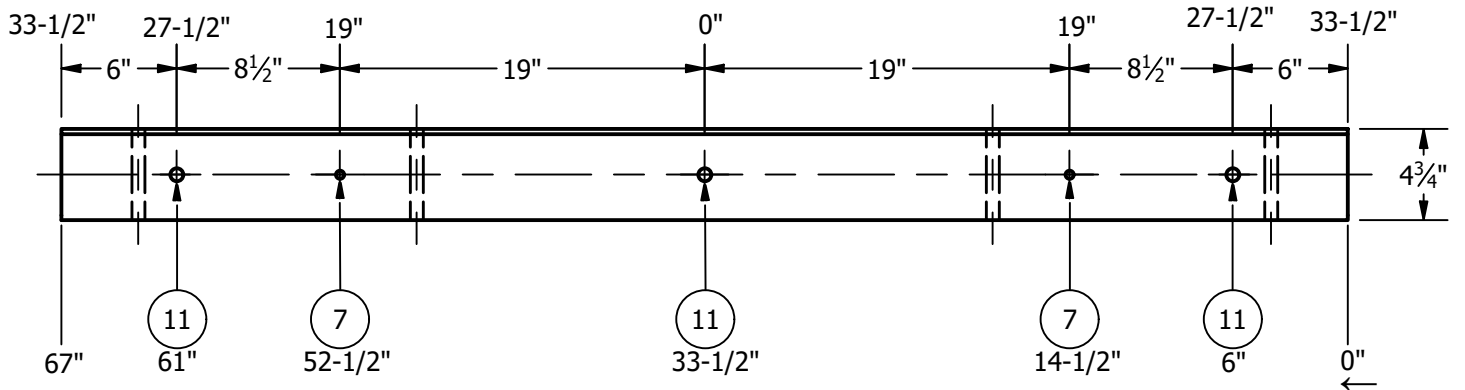
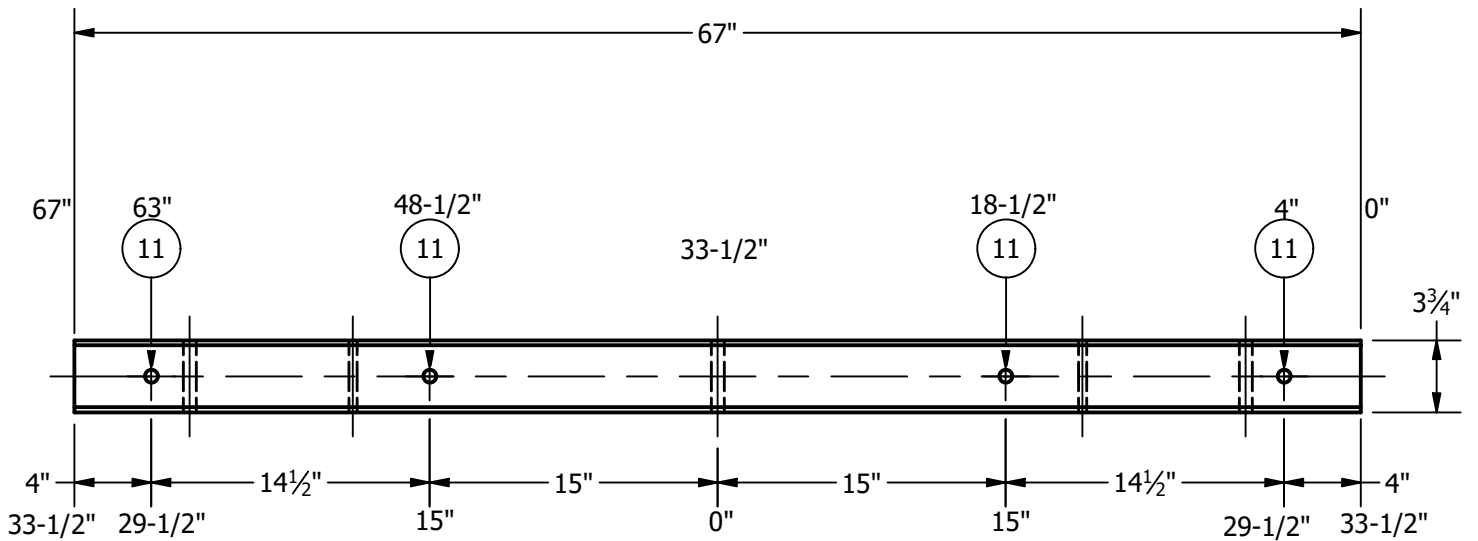


3-3/4" x 4-3/4" x 5'-7"



HOLE LOCATION
FROM RIGHT END

HOLE CODE

- 7 = 7/16" Ø HOLE
- 11 = 11/16" Ø HOLE

BROOKS
MANUFACTURING CO.

TOLERANCES:
LENGTH ± 1/2"
ANGLE ± 1"
HOLE ± 1/16"

MATERIAL:
WOOD IS DOUGLAS FIR

DESCRIPTION:
REA TYPE 02 CROSSARM
3-3/4" X 4-3/4" X 5'-7"

THIS DRAWING IS THE PROPERTY OF BROOKS MFG CO. THE INFORMATION THEREON IS SUBMITTED IN CONFIDENCE AND IS NOT TO BE REPRODUCED NOR SHARED WITHOUT WRITTEN PERMISSION

2120 PACIFIC ST
BELLINGHAM, WA 98229
WWW.BROOKSMFG.COM

SCALE:
1 / 10

DRN BY:
MF

APPD BY:

DATE:
6/14/2024

DRAWING NUMBER:
REA-02FS